

## Rubber-bitumen gun applied sealant

### Uses

- For sealing joints in flashings, guttering and sheet laps
- An integral part of the Proofex waterproofing system

### Advantages

- Firm flexible weather resistant seal
- Excellent slump resistance
- Excellent immersed adhesion
- Compatible with asphalt or bituminous surfaces
- Unaffected by alkalis or sulphates
- Easily gunned
- Suitable for joints up to 40 mm wide

### Description

Nitoseal® MB175 is a flexible rubber-bitumen joint sealant with excellent slump resistance. Nitoseal® MB175 stiffens to form a firm seal after application. A tack free surface will form within 1 or 2 days depending upon the conditions of exposure and ventilation, however the nature of bitumen means a slight 'sticky' feel will persist.

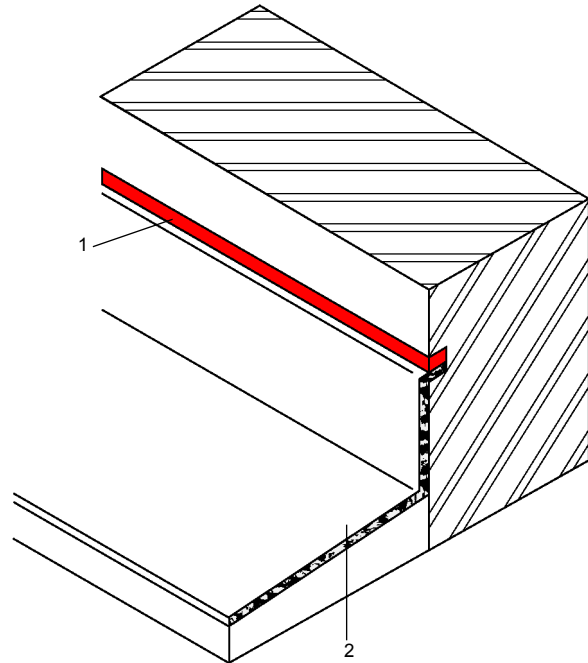
### Design criteria

**Joint size:** Joints should be of a size to permit adequate application of Nitoseal® MB175. Very narrow joints are difficult to seal effectively and for most applications 10 mm should be considered the minimum width. Maximum recommended width is 40 mm. A minimum seal depth of 15 mm must always be maintained.

To ensure that the sealant operates within its stated movement capacity (MAF 10% in butt joints) the sealing slot widths should be designed in accordance with the recommendations of BS 6093.

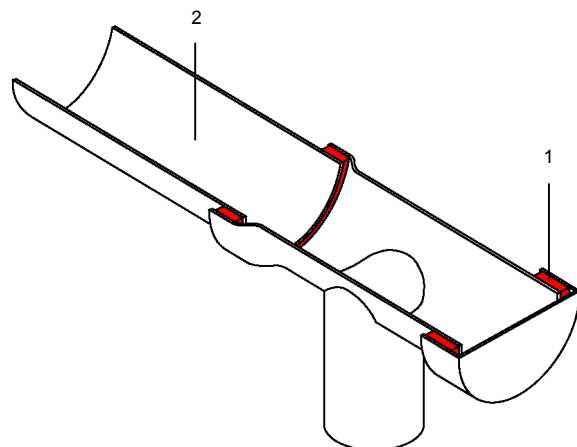
The use of Fosroc Primer B2 is always recommended on porous surfaces.

Example of a sealed roof perimeter joint is show below



- 1 Nitoseal® MB175
- 2 Asphalt, bituminous or other roof finish

Example of sealed joint in guttering is shown below



- 1 Nitoseal® MB175
- 2 Gutter

# Fosroc® Nitoseal MB175

formerly Fosroc® Plastiseal

## Properties

<b>Form:</b>	Semi-stiff paste
<b>Colour:</b>	Black
<b>Movement accommodation factor (BS 6093):</b>	10% for butt joints, 20% for lap joints
<b>Physical or chemical change:</b>	Solvent release
<b>Application temperature:</b>	5°C to 50°C
<b>Chemical resistance to occasional spillage:</b>	Dilute acids resistant Dilute alkalis resistant Solvents not resistant Petroleum not resistant Lubricants not resistant
<b>Water immersion:</b>	Before permanent immersion in water Nitoseal® MB175 must be left for a minimum period of 14 days to permit evaporation of its solvent content, this is dependent upon the ambient conditions and depth of Nitoseal® MB175
<b>Solids content:</b>	90% minimum
<b>VOC content:</b>	112.9 g / litre
<b>Flash point:</b>	61°C

## Maintenance

No special requirement, damage should be repaired if and when it occurs.

## Specification clauses

Joints shall be sealed, where designated, using Nitoseal® MB175, a rubber-bitumen sealant, manufactured and supplied by Fosroc. The sealant shall be applied strictly in accordance with the manufacturer's current technical data sheet.

## Application instructions

### Joint preparation

Ensure that the joint surfaces are completely dry, clean and frost-free. Remove all dirt, dust, laitance and loose material by rigorous wire brushing. Remove all rust, scale and protective lacquers from metal surfaces. Remove any oil or grease with Fosroc Equipment Cleaner.

### Gun loading

Cut conical tip off cartridge and thread, screw on nozzle, cut at 45 degrees to required size and fit into a proprietary skeleton cartridge gun.

## Expansion joints

Nitoseal® MB175 must always be supported by a firm backing to allow free movement. Where a particularly neat finish is required, cover face edges of joint with masking tape before priming and remove immediately after sealing work is completed.

## Priming porous surfaces

Use Fosroc Primer B2 on concrete, stone, brickwork, timber and unglazed edges of ceramic tiles. Allow primer to become touch-dry before sealing, normally 30 minutes to 1 hour.

## Priming non-porous surfaces

Not normally required. Ferrous metals should be treated with an anti-corrosion primer.

## Cleaning

Clean up equipment immediately after use with Fosroc Equipment Cleaner.

## Estimating

### Packaging

Nitoseal® MB175 is supplied in boxes of 20 x 380ml cartridges, 7.6 litres approximately.

Nitoseal® MB175 is also available in 20 litre tins.

## Coverage

### Guide to Nitoseal® MB175 quantities

Joint size in mm w x d	Litre per metre run	Metre per 0.38 litre cartridge	Metre per box (7.6 litre)
10 x 15	0.15	2.50	51.0
20	0.20	1.90	38.0
15 x 15	0.23	1.70	33.8
20	0.30	1.30	25.3
20 x 20	0.40	1.00	19.0
25	0.50	0.80	15.2
25 x 15	0.38	1.00	20.3
25	0.63	0.61	12.2
30 x 25	0.75	0.51	10.1
30	0.90	0.42	8.4
35 x 25	0.88	0.43	8.7
40 x 25	1.00	0.30	7.6

### Guide to Fosroc Primer B2 coverage

Joint depth	Metres of joint / 5 litres of primer
15mm	1000 - 1333
25 mm	600 - 800
30 mm	500 - 667

Fosroc Primer B2 is supplied in 5 litre cans, covering 30 - 40m<sup>2</sup>. These are theoretical yields without allowance for joint size variation or wastage.



# Fosroc® Nitoseal MB175

formerly Fosroc® Plastiseal

## Limitations

Nitoseal® MB175 should not be used in closed tanks where poor ventilation will seriously inhibit evaporation of solvent from the Nitoseal® MB175. Nitoseal® MB175 is not suitable for trafficked surfaces. Wide joints are liable to mechanical damage.

## Storage

Storage life of 12 months in original containers when kept in dry conditions between 5°C and 27°C.

## Precautions

### Health and safety

For further information refer to appropriate Product Safety Data Sheet.

### Fire

Fosroc Primer B2 and Fosroc Equipment Cleaner are highly flammable; keep away from sources of ignition, no smoking. In the event of fire, extinguish with CO<sub>2</sub> or foam - do not use water jet.

## Flash points

Nitoseal® MB175:	61°C
Fosroc Primer B2:	0°C
Fosroc Equipment Cleaner :	44°C

Fosroc and Nitoseal are trademarks  
of Fosroc International Limited



### Important note

Fosroc products are guaranteed against defective materials and manufacture and are sold subject to its standard Conditions for the Supply of Goods and Services, copies of which may be obtained on request. Whilst Fosroc endeavours to ensure that any advice, recommendation, specification of information it may give is accurate and correct, it cannot, because it has no direct or continuous control over where or how its products are applied, accept any liability either directly or indirectly arising from the use of its products, whether or not in accordance with any advice, specification, recommendation of information given by it.

## Fosroc Limited

Drayton Manor Business Park  
Coleshill Road, Tamworth,  
Staffordshire B78 3TL. UK

[www.fosroc.com](http://www.fosroc.com)

telephone:  
+44 0 (1827) 262222

fax:  
+44 0 (1827) 262444

email:  
[enquiryuk@fosroc.com](mailto:enquiryuk@fosroc.com)



Certificate number FM 610